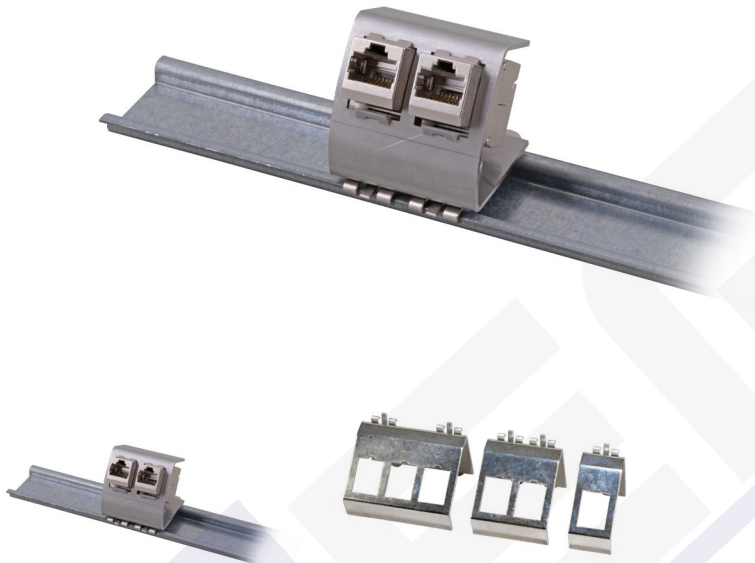


# Abierto Keystone Para Carril Din Abierto



## General data

Keystone holder, stainless steel  
Intended for mounting on DIN-Rail  
Delivery without Keystone Modules

## Allgemeine Daten

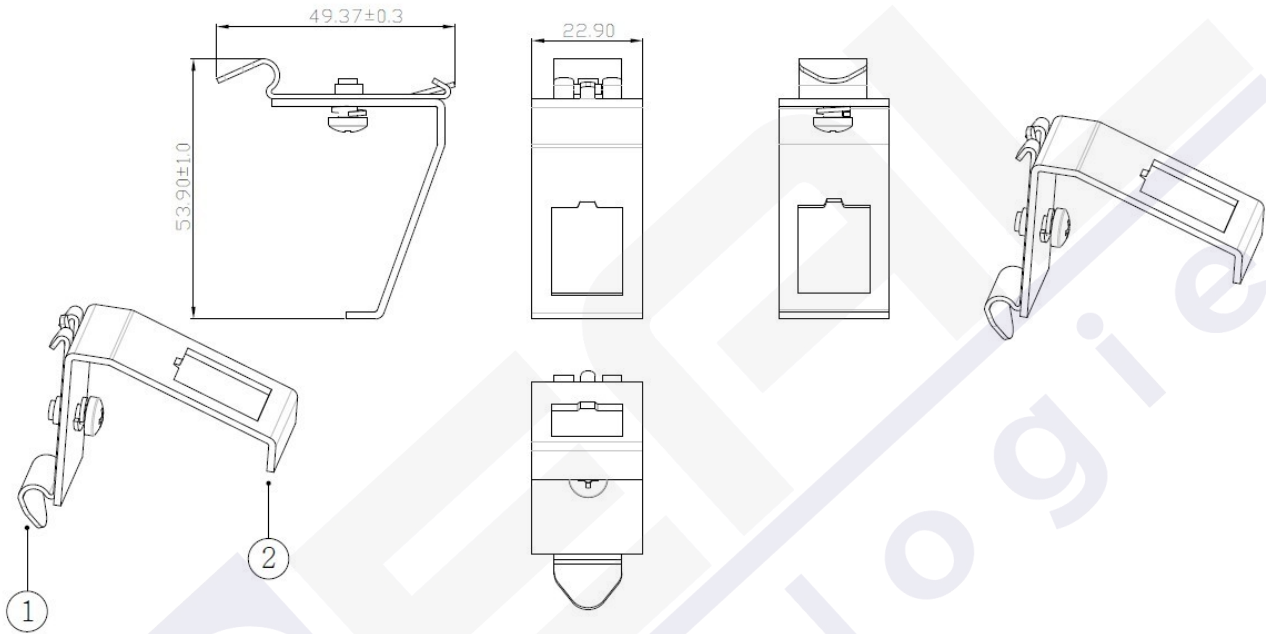
Material	Metal
With labeling field	False
With earthing spring	False
Type of DIN-rail adapter	Inclined
Type of fastening	DIN rail (top hat rail) 35 mm

## Available variants

ArtNr.	Bezeichnung	max. assembly
ET-25184.V2	Keystone holder for DIN-Rail, Stainless Steel, for 1 x Keystone	1
ET-25184.1V2	Keystone holder for DIN-Rail, Stainless Steel, for 2 x Keystone	2
ET-25184.2V2	Keystone holder for DIN-Rail, Stainless Steel, for 3 x Keystone	3

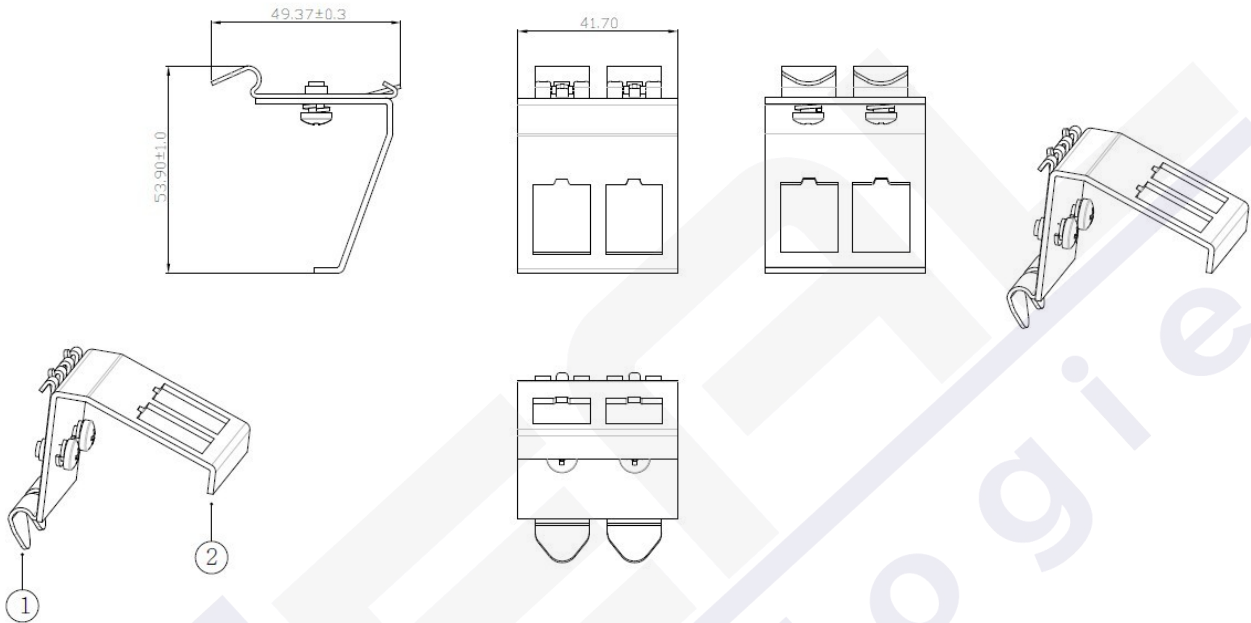
# Abierto Keystone Para Carril Din Abierto

## Drawings



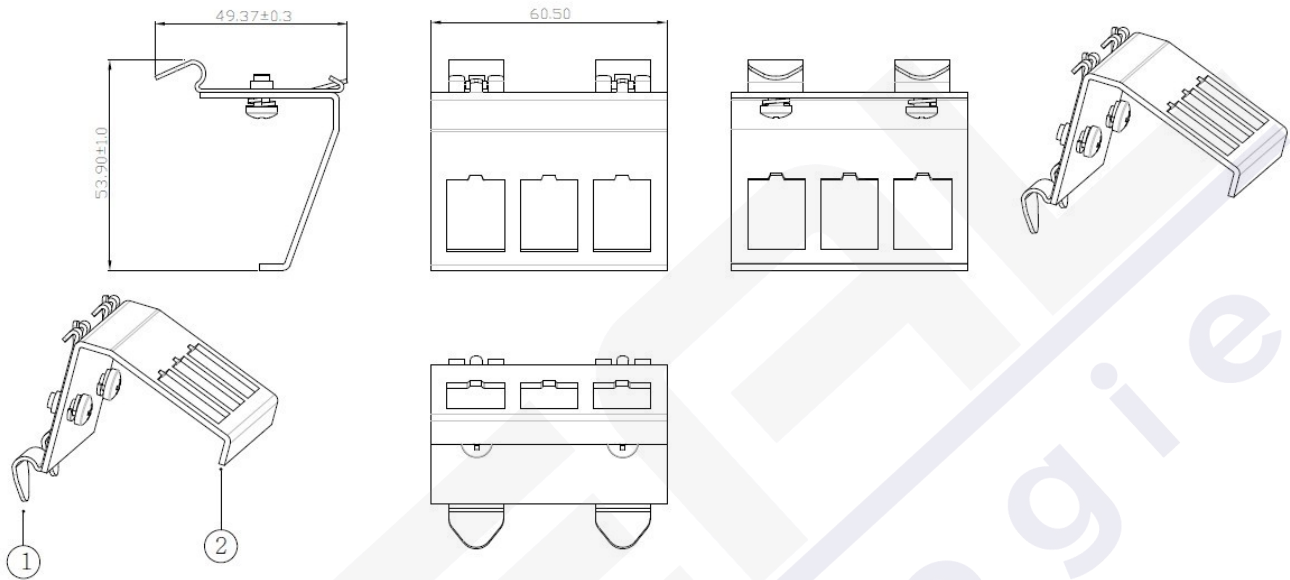
MECHANICAL  
(1)Material: SUS304  
(2)Material: SPCC

# Abierto Keystone Para Carril Din Abierto



- MECHANICAL  
(1)Material: SUS304  
(2)Material: SPCC  
(2)Material: SPCC

# Abierto Keystone Para Carril Din Abierto



MECHANICAL  
(1)Material: SUS304  
(2)Material: SPCC