

Caja De F.o Para Carril Din S/panel Frontal



General data

Fully assembled metal housing
For DIN Rail mounting
Cable entries top/bottom, prepared for M20
Delivery incl. screws for front panel

Included:

1 x splice distributor housing
1x splice cassette
1 x splice holder for 12 crimp splices (Attach of an optional additional splice holder only with double-sided adhesive tape)
1 x cable gland M20
1 x Alu DIN Rail clip

Delivery unassembled and without Front panel

Dimensions: 61x115x113mm

Allgemeine Daten

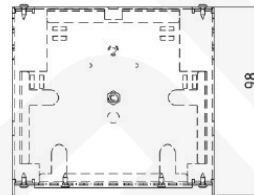
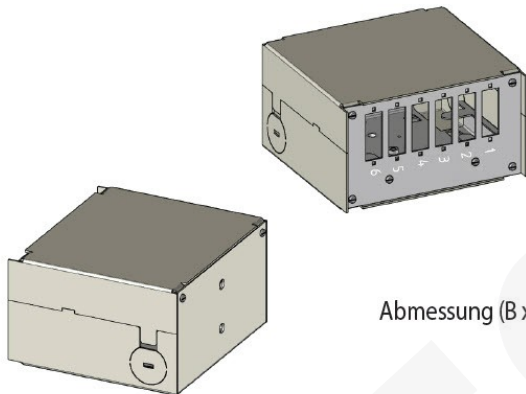
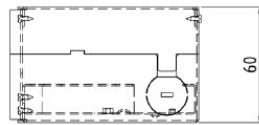
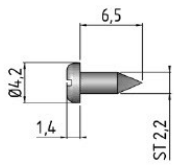
Suitable for number of module inserts	-
With housing	True
Number of height units	-
With front plate	False
Mounting method	DIN rail (top hat rail)
With pigtails	False

Abmessungen

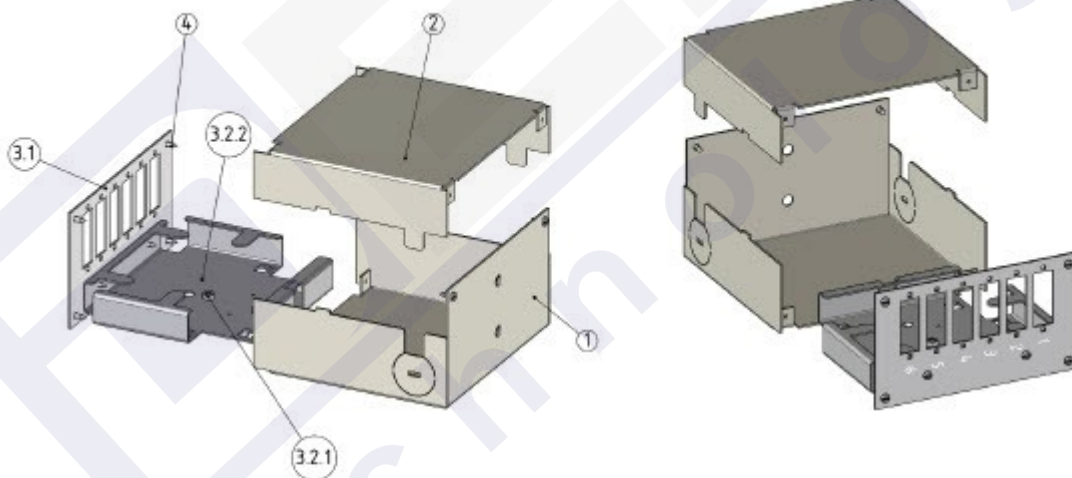
Depth	113.0 mm
Width	61.0 mm
Height	115.0 mm

Caja De F.o Para Carril Din S/panel Frontal

Drawings



Abmessung (B x H x T), 61 x 115 x 113mm



Nr.	Beschreibung	Q'ty
1	Gehäuseteil 1	1
2	Gehäuseteil 2	1
3.1	Frontblende (Nicht im Lieferumfang)	
3.2.1	Gewindeniet	1
3.2.2	Montageplatte	1
4	Zylinderblechschraube	8