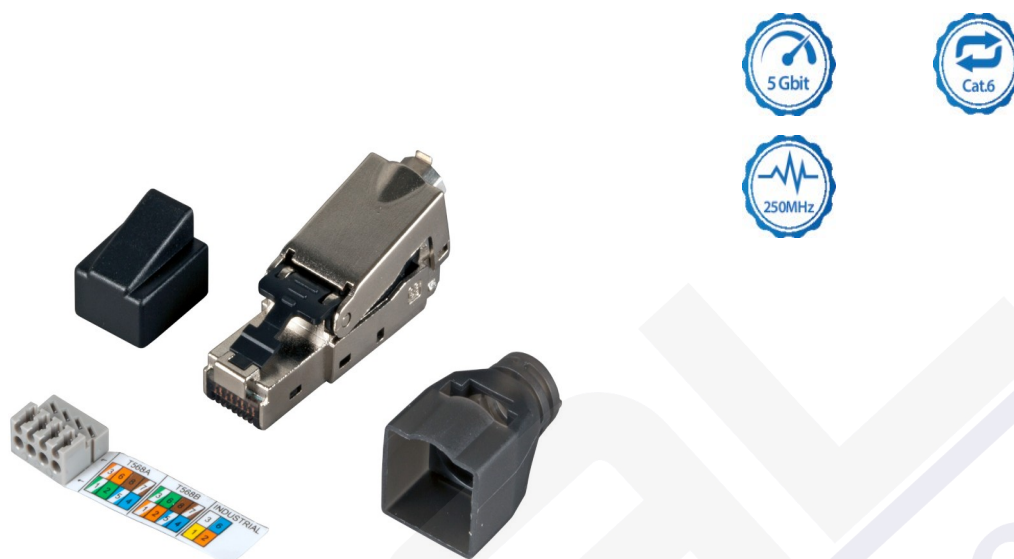


Conector Ftp M De Campo Infralan De Cat-6



General data

The RJ45 plug provides a combination of excellent transmission quality and fast and easy tool-free assembly. Fully shielded zinc diecast housing ensures the best EMC features especially in industrial environments. IDC terminals and very low contact resistances assure high quality contacting for installation cables up to 9mm diameter and wire gauge from AWG22 - AWG27.

Shielded zinc diecast body with separate dust cap and anti-kink sleeve
Class E performance according to ISO/IEC11801 and IEC60603-7-5
Compact cable manager for AWG 22/1 .. AWG 26/1 or AWG22/7 .. AWG27/7
Pair management according to TIA 568A /B colour codes and industrial Profinet 1-2-3-6
Re-termination capability up to 5 times with the same width, for AWG27/7 up to 2 times
Suitable for cable dia from 6.0 mm .. 9.0 mm
Strain relief with cable tie

Allgemeine Daten

Type of connector	RJ45 8(8)
Suitable for litz wire conductor	True
Suitable for degree of protection (IP)	IP20
Suitable for solid core	True
AWG-range	22 - 27
Connection type	LSA
Suitable for flat cable	False
Current Rating	1.5 A
Max. cable diameter	9.0 mm
Special tool necessary	False
Suitable for round cable	True
Category	6
Model	plug
Complaint to UL94	V-0

Conector Ftp M De Campo Infralan De Cat-6

Mechanische Eigenschaften

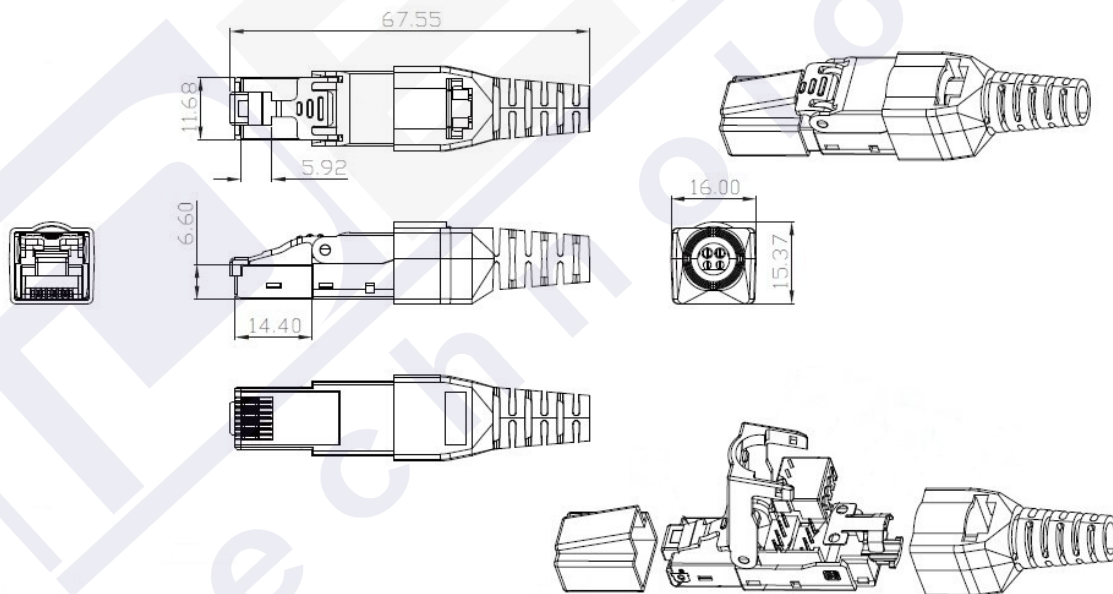
Mating cycles	750 Mating cycles
Shield contact and strain relief separate	True
360° shield contact	True
Dust cover	true
Housing material	Zinc die cast
Separate earthing flag	False
Contact coating	50 μ"
Type of locking	snap lock

Umgebungsbedingungen

Temperature range	-40 - 66 °C
-------------------	-------------

Elektrische Eigenschaften

Insulation Resistance	≥ 500 MΩ
Contact Resistance	≤ 20 mΩ
Dielectric Withstanding Voltage	1000 V DC
screened	True
4PPOE certified	True



Conector Ftp M De Campo Infralan De Cat-6

