



General data

IP68 Socket Housing for all EFB-Elektronik keystone modules and adapters
With bayonet lock to IEC61076-3-106
M30 mounting with silicone seal
Mounting diameter: 30mm
Suitable for use with Keystone modules, Snap-in and keystone mounting(except 37521.1V2) adapters
Straight outlet 180 °

Delivery unequipped

Accessories:

IP68 Cap: IP68EBCAP

Allgemeine Daten

With dust cover	True
Assembly arrangement	Basic element
Type of fastening	mounting with screw
Material quality	Duroplast
Suitable for degree of protection (IP)	IP68

Ideal Technology has a policy of continuous improvement. Specifications are subject to change without notice.

Regleta PDU 19" 1U 9 schuko

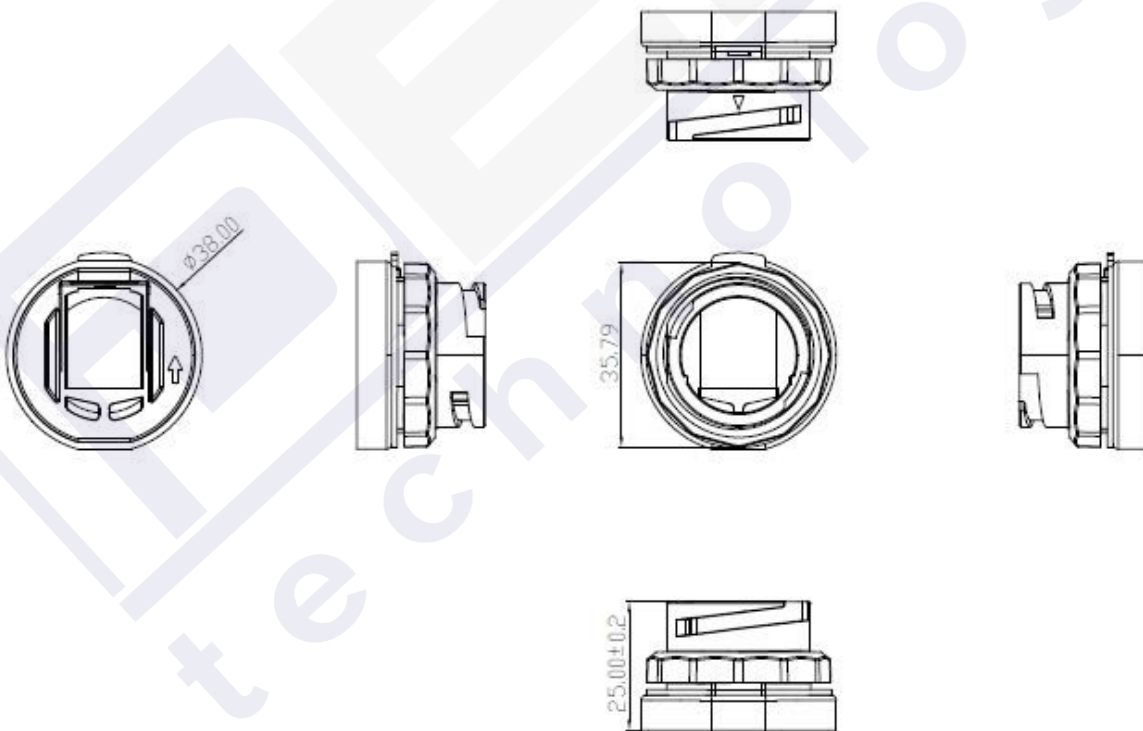
Material | Plastic

Mechanische Eigenschaften

Type of locking | Bayonet lock

Elektrische Eigenschaften

Temperature | -40 / +85 Celsius



Ideal Technology has a policy of continuous improvement. Specifications are subject to change without notice.