

Caja Distribucion F.o Ip54 Con Llave



General data

IP54 Plastic housing RAL7035

For 6 shrink splices

Lockable cover

Included:

Metal installation board

Holder for 6 shrink splices

Chart label

1 x key

1 x PG13.5 gland

1 x PG9 gland

2 x dowel M8

2 x screws 2.9x9.5mm

Dimensions: 103x185x100mm

Allgemeine Daten

Suitable for number of fibres	6
Lockable	True
Type of coupler	Fusionsplicer
Splice Holder	crimp/ shrink
Splice Cassette	without cassette
Degree of protection (IP)	IP54
Material	Plastic
Direct Burial	False
Separated compartments	False

Caja Distribucion F.o Ip54 Con Llave

In-/Output

2

Abmessungen

Dimension (LxBxH)

103 x 185 x 100 mm

Available variants

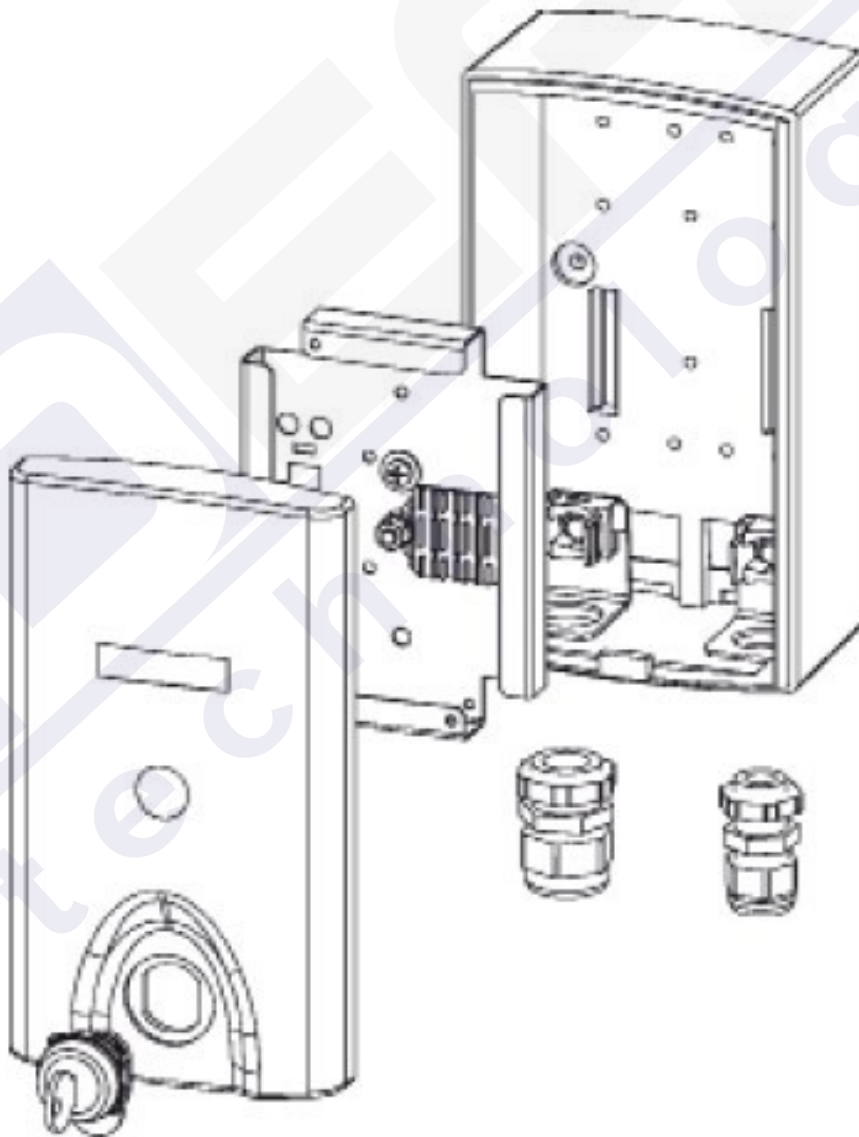
ArtNr.

Bezeichnung

53713.1

Micro Splice distributor I, RAL7035, IP54, lockable

Drawings



Ideal Technology has a policy of continuous improvement. Specifications are subject to change without notice.