

# Conector Ftp M De Campo Infralan Cat-6a(180<sup>a</sup>)



## General data

The Cat. 6A Premium RJ45 is a highlight in the chain of further development of RJ45 connectors for field assembly. An extraordinarily robust full metal housing made of zinc die-casting paired with the unique variable cable feed opens up a wide range of application possibilities. Installation can be done in **9 different positions**: 8 different angled positions and a 180° straight cable entry. The conical metal cable gland allows cable diameters from 6.0mm to 9.0mm. The connector meets the requirements of transmission class Cat. 6A/Class EA and supports the Ethernet protocol up to **10 Gigabit** per second.

## Allgemeine Daten

Type of connector	RJ45 8(8)
Current Rating	2 A
AWG-range for litz wire conductor	22 - 27
Suitable for litz wire conductor	True
Suitable for degree of protection (IP)	IP20
Suitable for solid core	True
Suitable for flat cable	False
Max. cable diameter	9.0 mm
Category	6A (IEC)

# Conector Ftp M De Campo Infralan Cat-6a(180<sup>a</sup>)

Connection type	Insulation displacement connector
AWG-range	22 - 26
Special tool necessary	False
Suitable for round cable	True
Model	plug
Complaint to UL94	V-0

## Mechanische Eigenschaften

Mating cycles	≥ 750 Mating cycles
360° shield contact	True
Dust cover	true
Housing material	Zinc die cast
Shield contact and strain relief separate	False
Separate earthing flag	False
Contact coating	50 μ"
Type of locking	snap lock

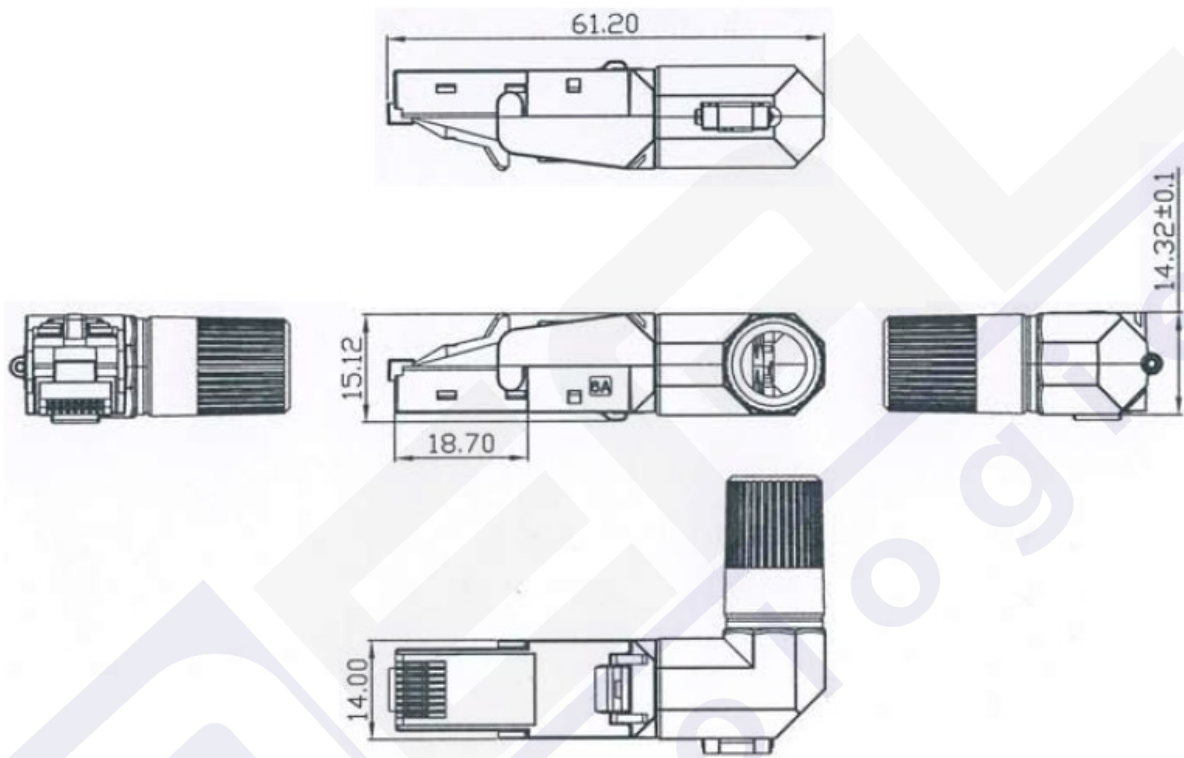
## Umgebungsbedingungen

Temperature range	-40 - 66 °C
-------------------	-------------

## Elektrische Eigenschaften

Insulation Resistance	≥ 500 MΩ
Contact Resistance	≤ 20 mΩ
Dielectric Withstanding Voltage	1000 V DC
screened	True
4PPOE certified	True

# Conector Ftp M De Campo Infralan Cat-6a(180<sup>a</sup>)



*Ideal Technology has a policy of continuous improvement. Specifications are subject to change without notice.*